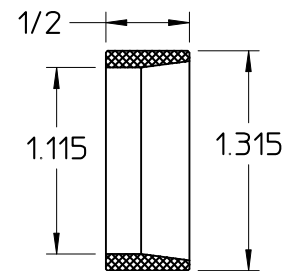
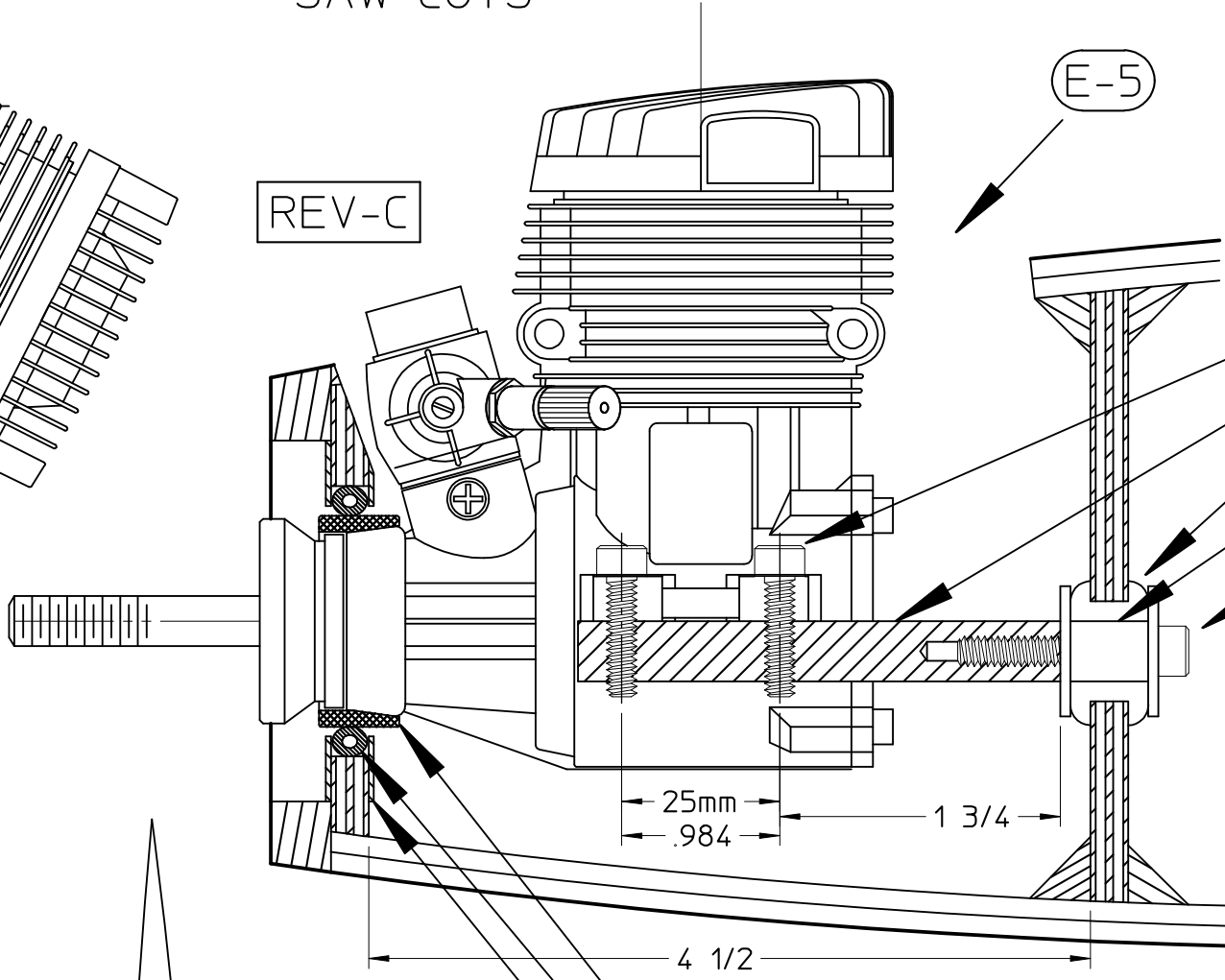


SAW CUTS

REV-C

E-5

- 10-32 x 3/4 SOCKET HEAD CAP SCREW
- 3/8 SQ x 3 ALUMINUM
- 3/8 x 5/8 x 1/4 W GROMMET
- 3/8 x .470" LONG SPACER
- 10-32 x 1 1/4 SOCKET HEAD CAP SCREW



ADAPTER MACHINE FROM 1" PVC PIPE  
 FUEL TUBING NOSE SUPPORT  
 .03" FIBERGLASS WASHER